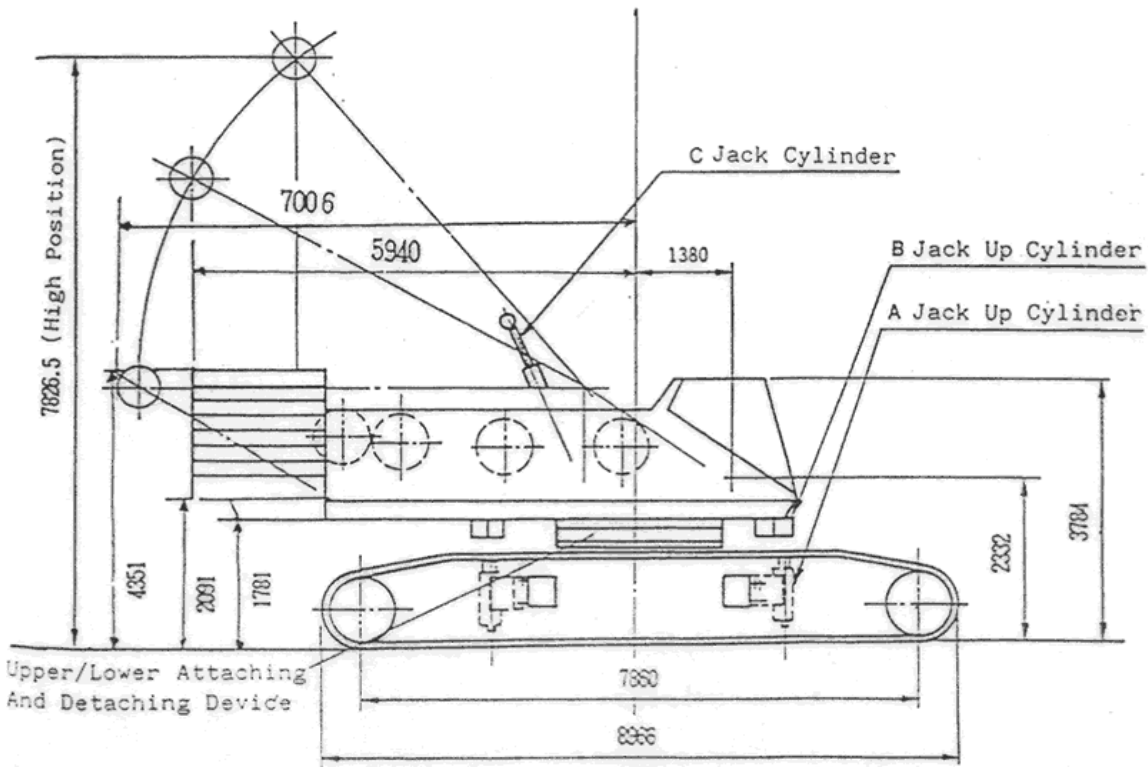
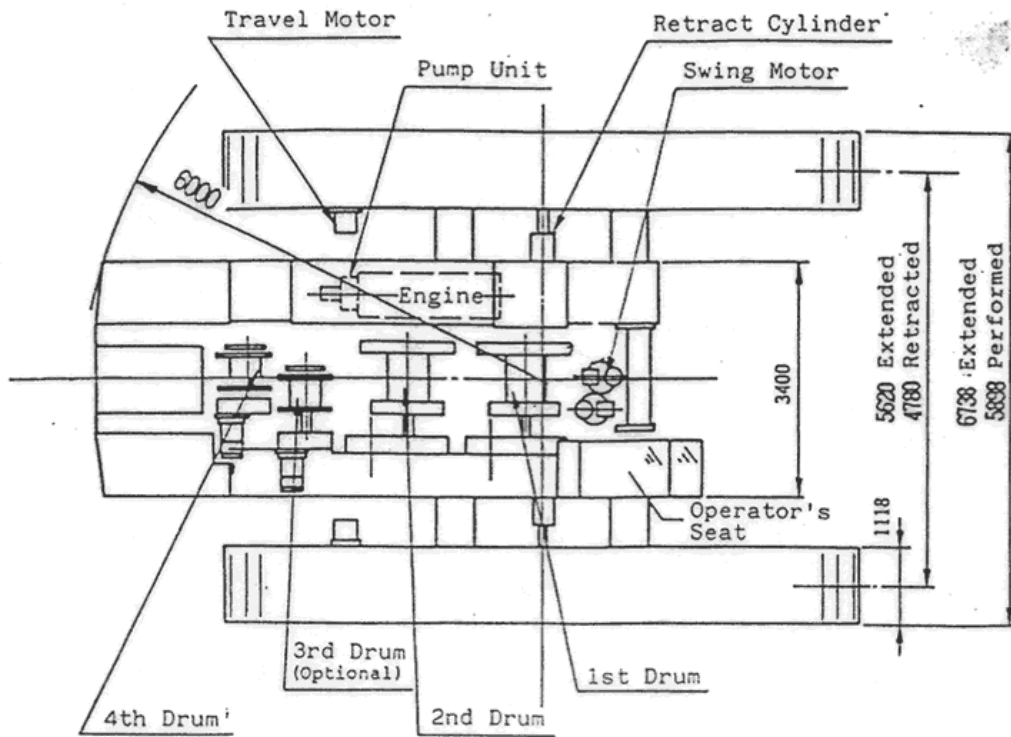


Major Fittings



LS - 248RH - 5

LIFTING CRANE CAPACITIES with Lower Weight (Boom Length 18.30m~39.60m)

	18.30		21.35		24.40		27.45		30.50		33.50		36.55		39.60		
5.0	150.0 146.0	80	5.5 133.6	80												5.0	
6.0	140.0	76	128.1	78	116.8	80	8.5 104.3	80								6.0	
7.0	123.6	73	121.7	76	111.5	78	102.5	79	94.4	80	7.5 85.2	80				7.0	
8.0	99.2	70	98.9	73	98.8	75	96.2	77	90.7	78	83.8	79	77.8	80	8.5 70.1	80	8.0
9.0	87.1	66	87	70	86.4	73	83.8	75	82.8	76	78.9	77	75.2	79	69.6	79	9.0
10.0	76.4	63	76.3	67	76.1	70	75.5	72	72.7	74	70.5	76	69.3	77	66.5	78	10.0
12.0	61.3	56	61.1	61	61.0	65	60.9	68	60.2	70	59.5	72	57.1	74	57.0	75	12.0
14.0	51.0	47	50.8	55	50.6	60	50.6	63	50.3	66	49.9	69	49.2	70	47.6	72	14.0
16.0	43.0	38	42.9	48	42.7	54	42.6	59	42.5	62	42.4	65	42.1	67	41.7	69	16.0
18.0	16.3 37.3	32	36.9	40	36.8	48	36.7	53	36.5	58	36.3	61	36.1	64	36.0	66	18.0
20.0			30.9	30	32.2	41	32.1	48	31.9	53	31.8	57	31.5	60	31.3	63	20.0
22.0					28.4	33	28.3	42	28.2	48	28.0	53	27.8	56	27.6	59	22.0
24.0							25.4	35	25.2	43	25.1	48	25.0	52	24.9	56	24.0
26.0							25.0 24.2	31	22.8	37	22.6	43	22.5	48	22.3	52	26.0
28.0									20.6	30	20.6	38	20.3	44	20.2	48	28.0
30.0											18.6	32	18.5	39	18.4	44	30.0
32.0													17.1	34	16.9	40	32.0
34.0													33.0 15.8	31	15.6	35	34.0
36.0															14.4	30	36.0
	12		11		10		9		8		7		6 (7)		6		
														1/28.		CPP0702	

LS - 248RH - 5

LIFTING CRANE CAPACITIES with Lower Weight (Boom Length 42.67m~64.01m)

	42.67		45.72		48.77		51.82		54.86		57.91		60.96		64.01		
9.0	64.0	80	9.5 58.4	80													9.0
10.0	62.3	79	57.8	80	52.3	80	10.5 48.0	80	11.0 44.3	80							10.0
12.0	53.3	76	52.4	77	49.7	78	46.9	79	43.5	79	40.0	80	12.5 38.0	80	13.0 36.7	80	12.0
14.0	46.0	73	43.9	74	42.3	75	41.8	76	40.3	77	38.1	78	37.0	78	36.2	79	14.0
16.0	40.6	70	38.8	72	37.3	73	37.1	74	35.8	75	35.7	76	35.6	76	35.2	77	16.0
18.0	35.8	68	34.8	69	34.2	71	33.1	72	32.9	73	32.7	74	32.6	75	32.5	75	18.0
20.0	31.2	65	31.1	66	31.0	68	30.9	69	30.8	71	30.7	72	30.6	73	30.6	73	20.0
22.0	27.5	62	27.4	64	27.2	65	27.2	67	27.1	68	27.0	70	27.0	71	26.9	72	22.0
24.0	24.7	58	24.6	61	24.3	63	24.1	65	24.0	66	23.9	67	23.9	69	23.9	70	24.0
26.0	22.1	55	21.9	58	22.6	60	21.6	62	21.5	64	21.5	65	21.5	67	21.4	68	26.0
28.0	20.0	52	19.9	55	19.7	57	19.6	60	19.5	61	19.4	63	19.4	64	19.3	66	28.0
30.0	18.3	48	18.2	52	17.9	55	17.8	57	17.7	59	17.6	61	17.6	62	17.4	64	30.0
32.0	16.8	45	16.6	48	16.3	52	16.2	54	16.1	56	16.0	58	16.0	60	15.9	62	32.0
34.0	15.4	41	15.3	45	15.2	48	14.9	51	14.8	54	14.7	56	14.7	58	14.6	60	34.0
36.0	14.3	36	14.1	41	14.0	45	13.7	49	13.7	51	13.5	54	13.5	56	13.4	58	36.0
38.0	13.1	31	13.0	37	12.8	42	12.7	45	12.5	49	12.5	51	12.5	53	12.4	55	38.0
40.0			11.9	33	11.8	38	11.7	42	11.6	46	11.5	49	11.5	51	11.4	53	40.0
42.0			41.0 11.3	30	11.0	34	10.9	39	10.8	43	10.7	46	10.7	49	10.5	51	42.0
44.0					43.5 10.3	31	10.1	35	10.0	39	10.0	43	10.0	46	9.8	49	44.0
46.0							9.4	31	9.3	36	9.2	40	9.2	43	9.1	46	46.0
48.0									8.6	32	8.5	37	8.5	40	8.4	44	48.0
50.0									49.0 8.1	30	8.5	33	7.9	37	7.8	41	50.0
52.0											51.5 7.5	30	7.5	34	7.3	38	52.0
54.0													7.1	31	6.5	35	54.0
56.0															6.3	32	56.0
58.0															57.0 5.9	30	58.0
	5		5		4		4		4		3		3		3		
																	2/28. CPP0473

LS - 248RH - 5

LIFTING CRANE CAPACITIES (Boom Length 42.67m~64.01m)

	42.67		45.72		48.77		51.82		54.86		57.91		60.96		64.01		
9.0	64.0	80	9.5 58.4	80													9.0
10.0	62.3	79	57.8	80	52.3	80	10.5 48.0	80	11.0 44.3	80							10.0
12.0	51.2	76	50.2	77	47.7	78	46.9	79	43.5	79	40.0	80	12.5 38.0	80	13.0 36.7	80	12.0
14.0	41.3	73	41.1	74	41.0	75	40.1	76	40.3	77	38.1	78	37.0	78	36.2	79	14.0
16.0	34.8	70	34.7	72	34.6	73	34.5	74	34.4	75	34.3	76	34.2	76	33.8	77	16.0
18.0	29.7	68	29.6	69	29.6	71	29.5	72	29.4	73	25.3	74	29.2	75	29.1	75	18.0
20.0	25.7	65	25.6	66	25.6	68	25.5	69	25.4	71	23.0	72	25.2	73	25.1	73	20.0
22.0	22.6	62	22.5	64	22.5	65	22.4	67	22.3	68	22.2	70	22.1	71	22.0	72	22.0
24.0	20.0	58	20.0	61	19.9	63	19.8	65	19.7	66	19.6	67	19.5	69	19.3	70	24.0
26.0	18.0	55	17.8	58	17.7	60	17.6	62	17.6	64	17.5	65	17.4	67	17.3	68	26.0
28.0	16.3	52	16.1	55	16.0	57	15.9	60	15.8	61	15.7	63	15.6	64	15.5	66	28.0
30.0	14.9	48	14.6	52	14.5	55	14.4	57	14.3	59	14.2	61	14.1	62	14.0	64	30.0
32.0	13.5	45	13.3	48	13.1	52	13.0	54	12.9	56	12.8	58	12.7	60	12.6	62	32.0
34.0	12.5	41	12.3	45	12.2	48	11.9	51	11.8	54	11.7	56	11.6	58	11.5	60	34.0
36.0	11.5	36	11.3	41	11.1	45	10.9	49	10.8	51	10.7	54	10.6	56	10.5	58	36.0
38.0	10.7	31	10.4	37	10.2	42	10.0	45	10.0	49	9.9	51	9.8	53	9.7	55	38.0
40.0			9.8	33	9.5	38	9.3	42	9.2	46	9.1	49	9.0	51	8.9	53	40.0
42.0			41.0 9.4	30	8.8	34	8.6	39	8.4	43	8.3	46	8.2	49	8.0	51	42.0
44.0					43.5 8.3	31	7.9	35	7.8	39	7.7	43	7.6	46	7.4	49	44.0
46.0							7.5	31	7.2	36	7.1	40	7.1	43	6.7	46	46.0
48.0									6.7	32	6.5	37	6.5	40	6.1	44	48.0
50.0									49.0 6.4	30	6.0	33	5.9	37	5.6	41	50.0
52.0											51.5 5.6	30	5.5	34	5.1	38	52.0
54.0													5.1	31	4.8	35	54.0
56.0															4.3	32	56.0
58.0															57.0 4.1	30	58.0
	5		5		4		4		4		3		3		3		

LS - 248RH - 5

Lifting Crane Capacities with Lower Weight (Boom Length 67.06m~82.30m)

	67.06		70.10		73.15		76.20		79.25		82.30		
12.0	^{13.5} 33.7	80											12.0
14.0	33.5	79	30.3	80	^{14.5} 28.7	80	^{15.0} 25.3	80	^{15.5} 23.0	80			14.0
16.0	32.7	78	29.6	78	27.1	79	25.0	79	22.8	80	20.3	80	16.0
18.0	31.5	76	28.8	77	26.4	77	24.4	78	22.1	78	19.7	79	18.0
20.0	30.7	74	27.8	75	25.9	76	23.8	76	21.6	77	19.2	77	20.0
22.0	28.0	72	27.0	73	24.8	74	22.4	75	21.0	75	18.6	76	22.0
24.0	24.8	71	24.8	72	24.1	72	22.3	73	20.2	74	18.0	74	24.0
26.0	22.3	69	22.3	70	22.0	71	21.7	71	19.6	72	17.3	73	26.0
28.0	20.1	67	20.0	68	19.8	69	19.7	70	19.0	71	16.7	71	28.0
30.0	18.2	65	18.2	66	17.9	67	17.8	68	17.6	69	15.9	70	30.0
32.0	16.6	63	16.5	64	16.3	66	16.1	67	15.9	68	15.0	68	32.0
34.0	15.2	61	15.1	63	14.8	64	14.7	65	14.5	66	13.8	67	34.0
36.0	13.9	59	13.9	61	13.6	62	13.5	63	13.3	64	12.8	65	36.0
38.0	12.8	57	12.8	59	12.5	60	12.4	62	12.2	63	11.8	64	38.0
40.0	11.9	55	11.8	57	11.5	58	11.4	60	11.2	61	11.0	62	40.0
42.0	10.9	53	10.8	55	10.5	57	10.4	58	10.2	59	10.1	61	42.0
44.0	10.1	51	10.0	53	9.7	55	9.6	56	9.4	58	9.2	59	44.0
46.0	9.4	49	9.3	51	9.1	53	8.9	54	8.7	56	8.5	57	46.0
48.0	8.7	46	8.6	49	8.3	51	8.2	53	8.0	54	7.8	56	48.0
50.0	8.1	44	8.0	46	7.7	49	7.5	51	7.3	52	7.2	54	50.0
52.0	7.5	41	7.4	44	7.1	47	7.0	49	6.8	51	6.6	52	52.0
54.0	7.0	39	6.9	42	6.6	44	6.4	47	6.2	49	6.1	51	54.0
56.0	6.5	36	6.4	39	6.1	42	5.9	45	5.6	47	5.5	49	56.0
58.0	6.1	33	6.0	36	5.6	40	5.4	42	5.1	45	5.0	47	58.0
60.0	^{59.5} 5.5	30	5.5	34	5.2	37	5.0	40	4.7	43	4.5	45	60.0
62.0			5.1	30	4.7	34	4.5	38	4.3	40	4.1	43	62.0
64.0					4.3	31	4.1	35	3.9	38	3.7	41	64.0
	3		3		3		2		2		2		

LS - 248RH - 5		TOWER CRANE CAPACITIES												Tower Angle 90°		
Tower Height	35.052 - 56.388	35.052 - 56.388	38.100 - 56.388	41.148 - 56.388	44.196 - 56.388	47.244 - 56.388	50.292 - 53.340									
Jib Length	27.432		30.480		33.528		36.576		39.624		42.672		45.720			
Radius		Deg.		Deg.		Deg.		Deg.		Deg.		Deg.		Deg.		
10.0	10.9 19.2	75	11.7 19.2	75												10.0
12.0	19.2	73	19.2	74	12.5 18.6	75	13.3 17.1	75								12.0
14.0	19.2	68	19.2	70	18.6	72	17.1	74	14.1 15.6	75	14.9 14.2	75				14.0
15.0	15.8 19.2	64	15.8 19.2	67	15.8 18.6	69	17.1	72	15.6	74	14.2	75	15.7 12.7	75		15.0
16.0	18.8	63	18.8	66	18.2	69	16.4 17.1	70	17.5 15.6	70	14.2	73	12.7	75		16.0
18.0	17.1	59	17.1	62	17.1	65	16.4	67	15.4	69	18.6 14.2	70	19.7 12.7	70		18.0
20.0	15.5	54	15.5	58	15.5	61	15.5	64	14.7	66	13.7	68	12.6	69		20.0
22.0	14.2	48	14.2	53	14.2	57	14.2	60	13.8	63	13.1	65	12.1	67		22.0
24.0	12.9	42	12.9	48	12.9	53	12.9	56	12.9	59	12.3	62	11.7	64		24.0
26.0	11.7	35	11.7	43	11.7	48	11.7	52	11.7	56	11.7	59	11.0	61		26.0
28.0	10.5	27	10.5	37	10.5	44	10.5	48	10.5	52	10.5	55	10.5	58		28.0
30.0	28.4 10.2	25	31.2 9.0	25	8.7	32	8.7	38	9.5	44	9.5	48	9.5	52	9.5	30.0
32.0					8.7	32	8.7	39	8.7	44	8.7	48	8.7	52		32.0
34.0					8.0	25	8.0	34	8.0	40	8.0	45	8.0	49		34.0
36.0							7.4	28	7.4	35	7.4	41	7.4	45		36.0
38.0							36.7 7.2	25	6.8	30	6.8	36	6.8	41		38.0
40.0									39.5 6.4	25	6.2	32	6.2	37		40.0
42.0											5.7	26	5.7	33		42.0
44.0											42.2 5.6	25	5.3	28		44.0
46.0													45.0 5.0	25		46.0